

ML300



The ML300 is a flange mounted pool lift that is ideal for a wide range of pool applications. The ML300 comes standard with our LiftOperator® Control System.

- Third party tested & verified ADA compliant
- Integrated armrests
- State of California compliant
- 300 lb/136kg lifting capacity
- Retrofit anchor jig is standard
- Flange mounted with 4 anchor bolts
- LiftOperator® Intelligent Control includes a 24 Volt rechargeable battery
- Powder-coated stainless steel and aluminum construction



Lift Color



GRAY MIST

Due to printing technology actual color may differ.



New Construction Jig with Anchors
500-5000A

Model No.	Description	Shipping – (Class 85)			
		Weight	Length	Width	Height
575-3000	ML300 with armrests	200 lbs 90kg	50" 127cm	24" 61cm	28" 71cm
575-3000N	ML300 with armrests, no anchor				

Note:

- Includes battery, charger, battery console cover, water-resistant hand control, footrest, seat belt assembly and retrofit anchor jig.

Parts & Accessories

- 300-6900 ML300 Anchor Kit for existing deck
- 500-5200 Total Cover
- 1001495 Battery
- 300-6700A Anchors, set of 4
- 300-6800A Anchor Bolts, set of 4
- 900-1000 Seat Belt

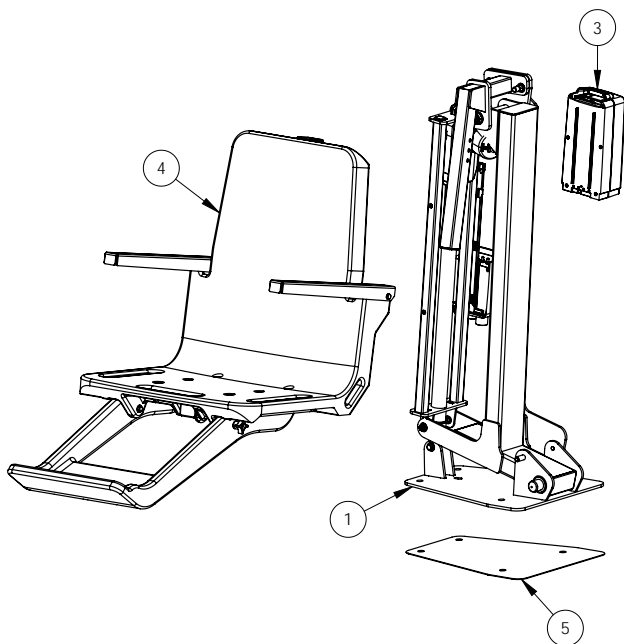
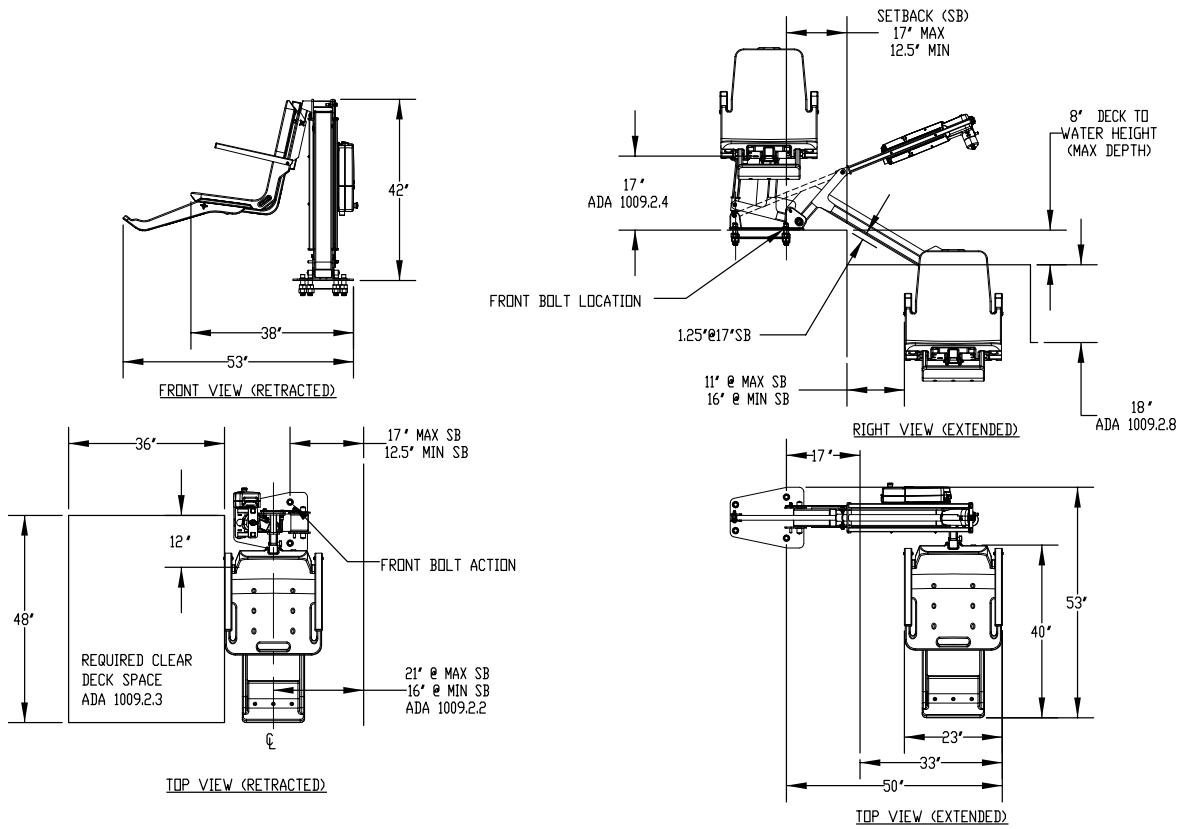
ML300 and multiLift Comparison

Features	ML300	multiLift™
Weight Capacity	300 lbs.	350 lbs.
3rd Party Verified ADA Compliant	YES	YES
Integrated Armrests	YES	YES
Total Cover Option	YES	YES
Key Activation System	NO	YES
Folding Seat Option	NO	YES
Wheel-A-Way Option	NO	YES

New Construction Guidelines

Scenario	Pool Lift	Anchor Jig
Order pool lift and new construction jig at same time	575-3000	500-5000 (no anchors)
Order new construction jig ahead of pool lift	575-3000N	500-5000A (comes with anchors)

A completed Deck Profile form is required with your pool lift order.



Key	Part Number	Description
1	575-0000A	Lift Assembly
2	300-6700A	Flush Deck Anchor Kit
3	1001495	Battery, LiftOperator
4	160-8000	Seat Assembly with Footrest
5	6-700B	1/16" Softpad
6	05-616	1/2" x 1 1/2" Nylon Washer
7	05-14-132	1/2" x 1 3/8" Washer, S/S
8	05-14-115	1/2" Lock Washer
9	800-0129	Hex Bolt, 1/2"-13x2" S/S
10	05-618	1/2" Nut Cap
11	500-5000	New Construction Jig (no anchors)
	500-5000A	New Construction Jig with anchors
	1001601	Hand Control, 2-button (not shown)
	400-7001	Controller Assembly, not keyed, 2-button
	400-7001K	Controller Assembly, keyed, 2-button (not shown)
	1001530	Battery Charger, LiftOperator (not shown)
	900-1000	Seat Belt Assembly (not shown)
	160-8000A	Seat Assembly, no Footrest (not shown)
	160-2700A	ML300 Footrest with Hardware (not shown)

