

# PAL2



The fixed portable PAL2 pool lift features a sleek, modern design and attractive matte finish. It comes standard with our Secure-It Kit which allows the lift to be fixed to the deck.

- Third-party tested and verified ADA compliant
- Integrated armrests
- State of California compliant
- 300 lb/136kg lifting capacity
- Easy to move by one person
- LiftOperator® Intelligent Controller conveniently located on the mast – includes 24 Volt rechargeable battery
- 240° rotation helps ensure safe transfer
- Powder-coated stainless steel and aluminum construction



## Lift Color



GRAY MIST

Due to printing technology actual color may differ.

## Secure-It Kit



200-1090A

Model No.	Description	Shipping – (Class 85)			
		Weight	Length	Width	Height
202-0000	PAL2 with armrests (California Compliant)	1200 lbs 544kg	40" 102cm	49.5" 124cm	57" 145cm
202-0000K	PAL2 with armrests, Activation Key (California Compliant)	1200 lbs 544kg	40" 102cm	49.5" 124cm	57" 145cm

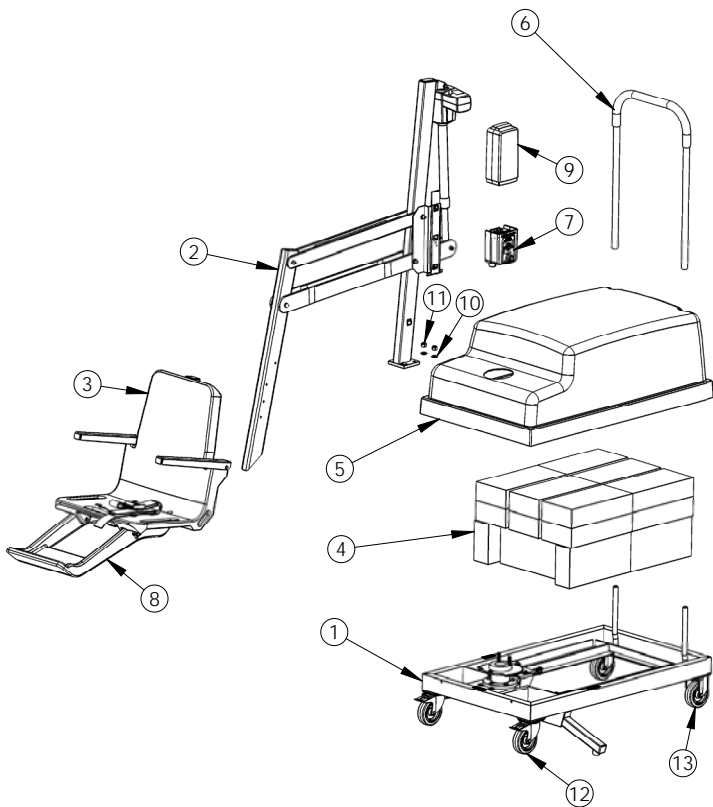
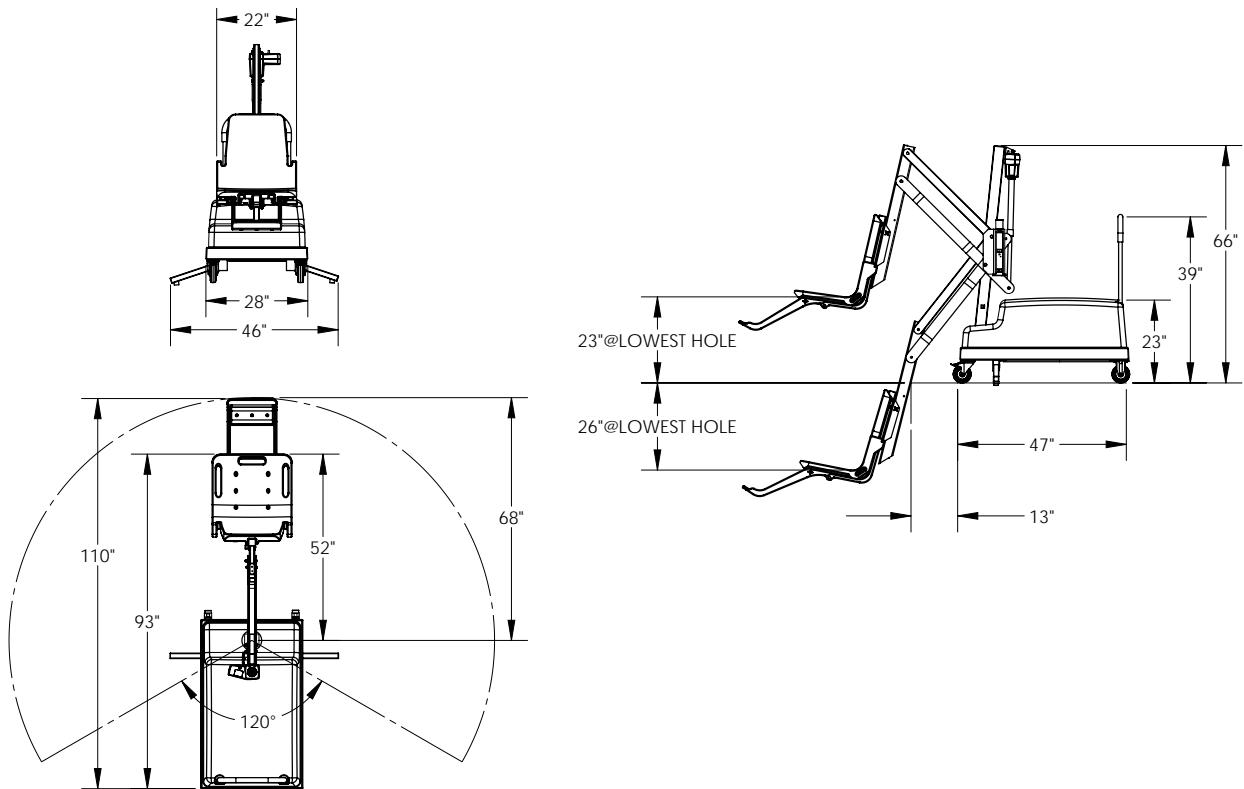
### Notes:

- Includes battery, charger, battery console cover, water-resistant hand control, footrest, seatbelt assembly, and Secure-It Kit

### Parts & Accessories:

- 170-3000A Armrest Assembly (pair)
- 920-5000 PAL Series Cover
- 200-1090A PAL Secure-It Kit (standard)
- 1001495 Battery
- 900-1000 Seat Belt

A completed Deck Profile form is required with your pool lift order.



Key	Part Number	Description
1	202-2000	Base Assembly
2	150-1000-4	Mast Assembly
3	160-8100	Seat Assembly with Footrest
4	220-3100	Concrete Blocks
5	202-6000	Housing Assembly
6	200-7000	Handle Assembly
7	400-7000	Controller Assembly, Not Keyed, 4-button
	400-7000K	Controller Assembly, Keyed, 4-button
8	160-2300A	Footrest with Hardware
9	1001495	LiftOperator Battery
10	800-1199	1/2" Flat Washer
11	800-2003	1/2"-13 Lock Nut 18-8
12	200-2222	Front Caster (Rigid) Assy. with Hardware)
13	200-3333	Rear Caster (Swivel) Assy. with Hardware
	1001600	Hand Control, 4-button (not shown)
	1001530	Battery Charger, LiftOperator (not shown)
	900-1000	Seat Belt Assembly (not shown)
	120-2000S	Cord Routing Kit, 47 inch (not shown)
	160-8000A	Standard Seat Assembly, without Footrest (not shown)