

# 10" ROUND STAR SUMPLESS SUCTION OUTLET COVER, UNIVERSAL ADAPTER KIT AND MUD FRAME

## VGB Series

The AquaStar line of suction outlet covers, compliant with the Virginia Graeme-Baker Pool and Spa Safety Act (ANSI/APSP 16-2011 and NSF/ANSI 50-2009a)

### FEATURES

For single or multiple drain use  
(see installation instructions)

Single – sumpless:

Floor/wall: 170 GPM at 1.7 fps

Floor/wall: 147.3 GPM at 1.5 fps

Floor/wall: 98.2 GPM at 1.0 fps

31.5 square inch opening

For retrofit or new construction!

Available with mud frame for new construction or with universal adapter frame to retrofit all existing frames/sumps up to 10" round

Trademarked VGB compliance button easily identifies VGB 2008 compliance from pool/spa deck

Manufactured from superior UV-resistant engineered polymer

Can be used with Brass Anchor Kit p/n BIK4 for odd-sized or non-structured frames/sump

All components (cover, adapter plate, frame, screws) meet or exceed ANSI/APSP 16-2011 and NSF/ANSI 50-2009a national standards and ASTM G154 UV testing exposure

#316 stainless steel screws

Replace every five years from the date of installation

6 per case

## No sump required!

Retrofits over all sumps/frames up to 10" using included plastic concrete anchors



Part # A10RCFRxxx

### STANDARD COLORS

□ A10RCFR101 – White

■ A10RCFR102 – Black

■ A10RCFR103 – Light Gray

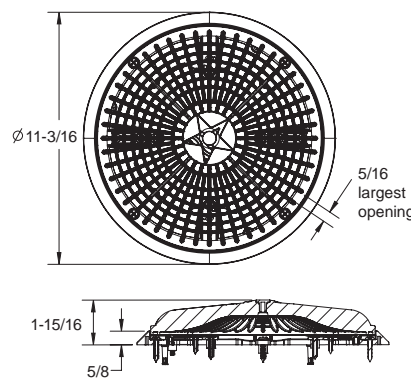
■ A10RCFR104 – Blue

■ A10RCFR105 – Dark Gray

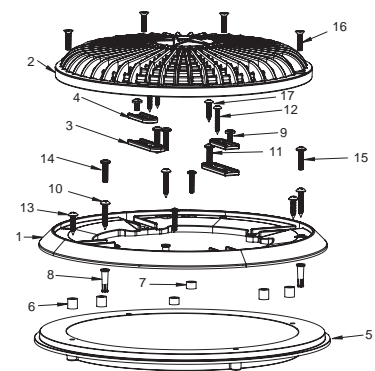
■ A10RCFR108 – Tan

Also available as a Contractor's 2-Pack without Retrofit Kit, with Mud Frame p/n A10RCFR2xxx

**VGB 2008 Compliant**



1. 10" universal adapter frame
2. 10" round suction outlet drain
3. Adjustable long slide, qty 2
4. Adjustable short slide, qty 2
5. 10" super low profile round frame
6. 3/8" bushing, qty 4
7. 1/4" bushing, qty 2
8. 1/4" concrete anchor, qty 3
9. 10-32 x 5/16" lg pan head Phillips, 316 ss, qty 2



10. #10 x 1" lg pan head Phillips, 316 ss, qty 3
  11. 10-24 x 7/8" lg pan head Phillips, 316 ss, qty 2
  12. #8 x 1" lg pan head Phillips, 316 ss, qty 2
  13. #10 x 3/4" lg pan head Phillips, 316 ss, qty 2
  14. 10-32 x 3/4" lg pan head Phillips, 316 ss, qty 3
  15. 8-32 x 3/4" lg pan head Phillips, 316 ss, qty 2
  16. 10-32 x 3/4" lg flat head Phillips, 316 ss, qty 4
  17. #8 x 3/4" lg pan head Phillips, 316 ss, qty 2
- Not all screws and hardware used for all installations