

multiLift™



Lift Color



GRAY MIST

Due to printing technology actual color may differ.



New Construction Jig with Anchors 500-5000A



Wheel-A-Way mobility option provides flexibility to transport the lift if needed



Optional folding seat assembly

A flanged pool lift, with left or right side mounting, and optional folding seat version. multiLift comes standard with a LiftOperator® control system.

- Third-party tested & verified ADA compliant
- Integrated armrests
- State of California compliant
- 350 lb/159kg lifting capacity
- Retrofit anchor jig is standard
- Optional folding seat assembly
- LiftOperator® Intelligent Control includes 24 Volt rechargeable battery
- Powder-coated stainless steel and aluminum construction



Model No.	Description	Shipping – (Class 85)			
		Weight	Length	Width	Height
575-0000	multiLift, with armrests	200 lbs/91kg			
575-0000N	multiLift, no anchor, with armrests	200 lbs/91kg	50"	24"	28"
575-1000	multiLift with activation key, with armrests	200 lbs/91kg	127cm	61cm	71cm
575-1000N	multiLift with activation key, no anchor, with armrests	200 lbs/91kg			

Note:

- Includes battery, charger, battery console cover, water-resistant hand control, footrest, seat belt assembly and retrofit anchor jig.

Parts & Accessories

- 170-3000A Armrest Assembly, gray (pair)
- 500-5200 Cover
- 500-5500 Wheel-A-Way
- 900-1000 Seat Belt
- 300-6700A Anchors, set of 4
- 300-6900 Retrofit Anchor Jig
- 1001495 Battery
- 300-6800A Anchor Bolts, set of 4

multiLift Folded Seat

Model No.	Description	Shipping – (Class 85)			
		Weight	Length	Width	Height
575-0100	multiLift with folding seat*	225 lbs/103kg			
575-0100N	multiLift with folding seat, no anchor*	225 lbs/103kg			
575-0105	multiLift with armrests and folding seat	230 lbs/104kg	50"	24"	28"
575-0105N	multiLift with armrests and folding seat, no anchor	230 lbs/104kg	127cm	61cm	71cm
575-1105	multiLift with armrests, folding seat, and activation key	230 lbs/104kg			
575-1105N	multiLift with armrests, folding seat, and activation key, no anchor	230 lbs/104kg			

Note:

- Includes battery, charger, battery console cover, water-resistant hand control, footrest, seat belt assembly and retrofit anchor jig.

* Models without armrests are not compliant with State of California requirements.

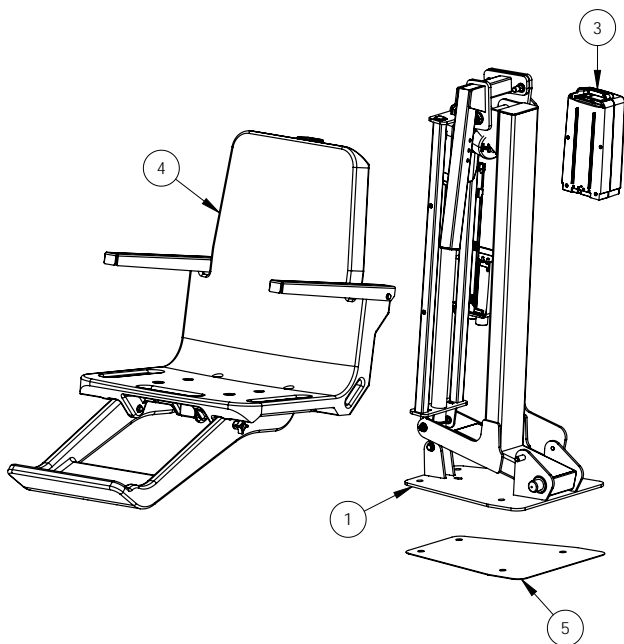
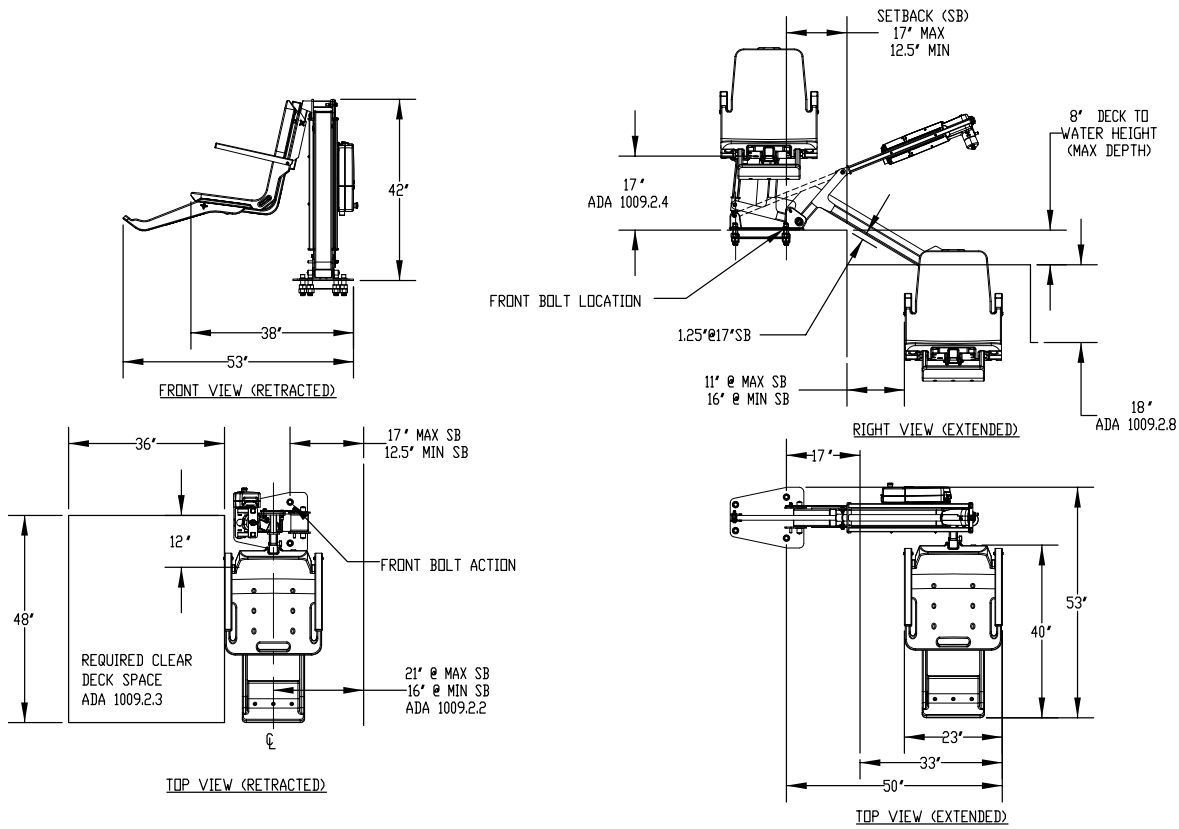
Parts & Accessories

- 500-5100FC Folding Seat Cover
- 160-6000 Folding Seat
- 900-2000 Stability Vest
- 900-4000 Seat Pad
- 1001495 Battery
- 970-0000 Seat Saver Cover
- 170-2320 Armrest Assembly, gray, left & right

New Construction Guidelines

Scenario	Pool Lift	Anchor Jig
Order pool lift and new construction jig at same time	575-3000	500-5000 (no anchors)
Order new construction jig ahead of pool lift	575-3000N	500-5000A (comes with anchors)

A completed Deck Profile form is required with your pool lift order.



Key	Part Number	Description
1	575-0000A	Lift Assembly
2	300-6700A	Flush Deck Anchor Kit
3	1001495	Battery, LiftOperator
4	160-8000	Seat Assembly with Footrest
5	6-700B	1/16" Softpad
6	05-616	1/2" x 1 1/2" Nylon Washer
7	05-14-132	1/2" x 1 3/8" Washer, S/S
8	05-14-115	1/2" Lock Washer
9	800-0129	Hex Bolt, 1/2"-13x2" S/S
10	05-618	1/2" Nut Cap
11	500-5000	New Construction Jig (no anchors)
	500-5000A	New Construction Jig with anchors
	1001601	Hand Control, 2-button (not shown)
	400-7001	Controller Assembly, not keyed, 2-button
	400-7001K	Controller Assembly, keyed, 2-button (not shown)
	1001530	Battery Charger, LiftOperator (not shown)
	900-1000	Seat Belt Assembly (not shown)
	160-8000A	Seat Assembly, no Footrest (not shown)
	160-2700A	multiLift Footrest with Hardware (not shown)

