

# PAL® Series



The fixed portable, free-standing PAL is the perfect accessory for commercial pools.

- Third-party tested & verified ADA compliant
- Integrated armrests
- State of California compliant
- 300 lb/136kg lifting capacity
- Easy to move by one person
- LiftOperator® Intelligent Controller
- 240° rotation helps ensure a safe transfer
- Powder-coated stainless steel and aluminum construction



## Lift Color



GRAY MIST

Due to printing technology actual color may differ.

## PAL variations include:

- Hi/Lo – A variation of the PAL useful for facilities that have both in-ground pools and raised spas.
- Spa – Designed for above ground pools and raised spas.

## Secure-It Kit



200-1090A

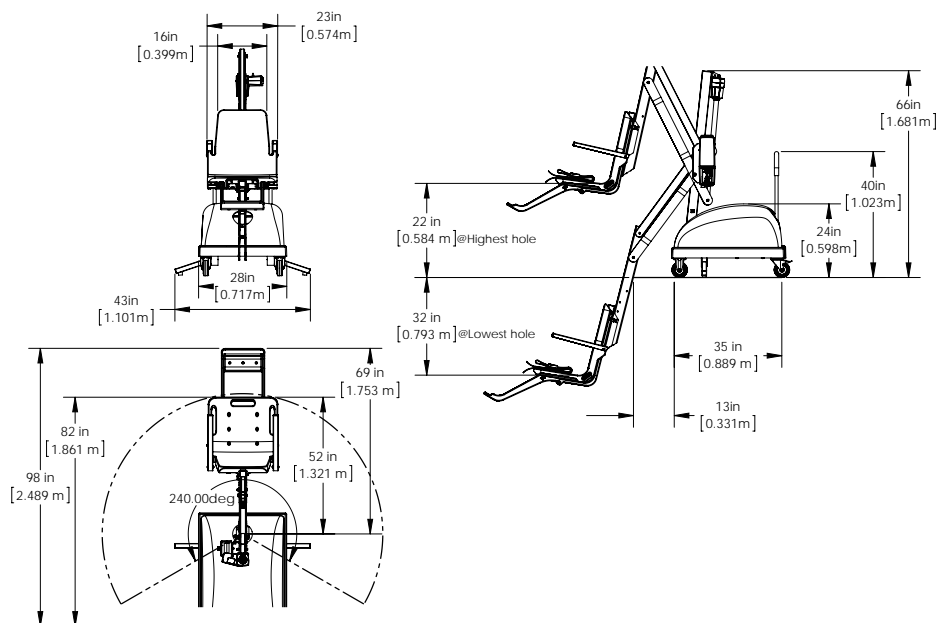
Model No.	Description Pool Lift with Armrests	Shipping – (Class 85)			
		Weight	Length	Width	Height
200-0000	PAL	1,195 lbs 542kg	40" 102cm	48" 122cm	60" 152cm
250-0000	PAL Hi/Lo	1,195 lbs 542kg	40" 102cm	48" 122cm	60" 152cm
275-0000	PAL Spa	1,195 lbs 542kg	40" 102cm	48" 122cm	60" 152cm
290-0000	PAL Package*	1,245 lbs 565kg	40" 102cm	48" 122cm	60" 152cm

### Notes:

- Includes battery, charger, battery console cover, water-resistant hand control, footrest, seatbelt assembly, armrests and Secure-it-Kit
- To order a lift with an Activation Key (for LiftOperator), add a K to the end of the part number
- \* Package includes cover and spineboard attachment

## Parts & Accessories:

- 1001495 Battery
- 920-5000 Cover
- 200-1090A PAL Secure-It Kit (standard)
- 900-1000 Seat Belt
- 900-6000 Stability Strap
- 500-1000 Spineboard Attachment
- 970-5000 Seat Saver Cover
- 170-3000A Armrest Replacement (pair)



A completed Deck Profile form is required with your pool lift order.

