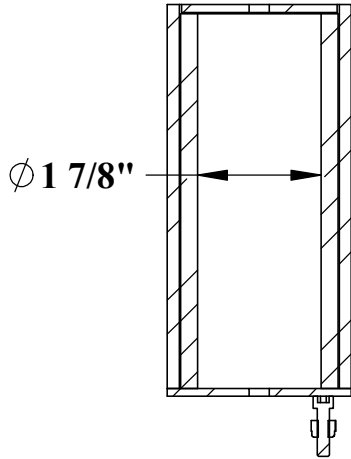
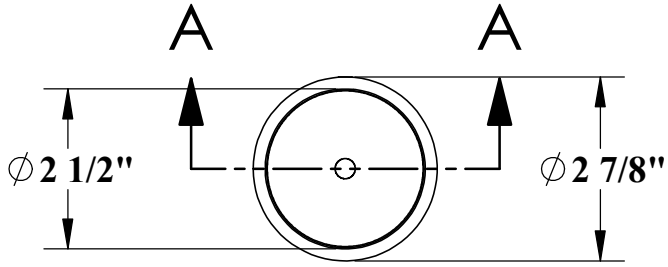
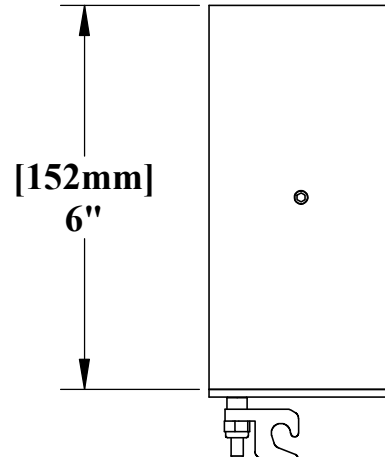


EZ & PEZ ANCHOR SPEC



SECTION A-A



GROUNDING LUG

SPECIFICATIONS

RATED CAPACITY: 400 LBS (181kg)
MAXIMUM SETBACK: 20" (508mm)



9889 GARRYMORE LANE
 MISSOULA, MT 59808
 (406) 549-0769
 FAX (406) 549-2602

NOTE:
 *SPECIFICATIONS ARE SUBJECT TO CHANGE WITHOUT NOTICE

PRODUCT:		F-033EZA	
DWG #:		F-033EZA-1	
SCALE:	1:3	DATE:	12/19/2016
DRAWN BY:	KR	REVISION:	B