

G-FORCE 2™ SLIDE:

RESIDENTIAL SLIDES



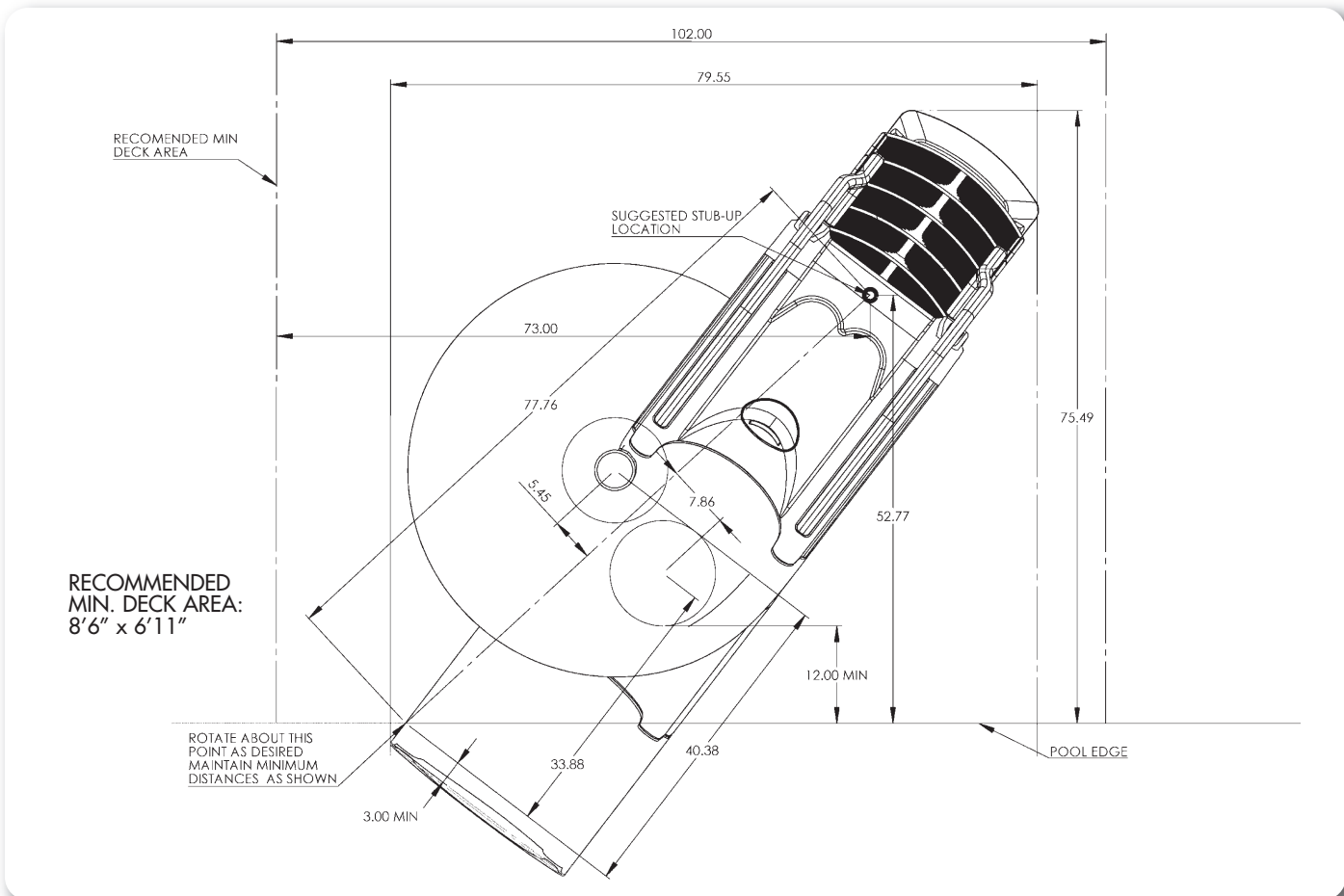
FEATURES:

- Rotational Molded - Polyethylene Construction on Flume, Steps, Rails & Leg Supports (PVC Legs)
- Available in Summit Gray Only
- Assembles in One Direction Only With Straight Exit Into the Pool
- 72" High at Seating Area
- Flume Width = 22.5" (centerline)
- Flume Depth = 13.5"
- Fantastic Water Supply System
- 15-25 GPM (Actual GPM rating will vary depending on specific pool size and pool equipment used.)
- Stainless Steel Hardware
- StableSafe™ Climbing System includes Heavy Fiberglass Stability Base, Deep Slip-Resistant Treads with Toe Stops, and Grip-Around™ Handrails
- Weight Limit = 250 Lbs.

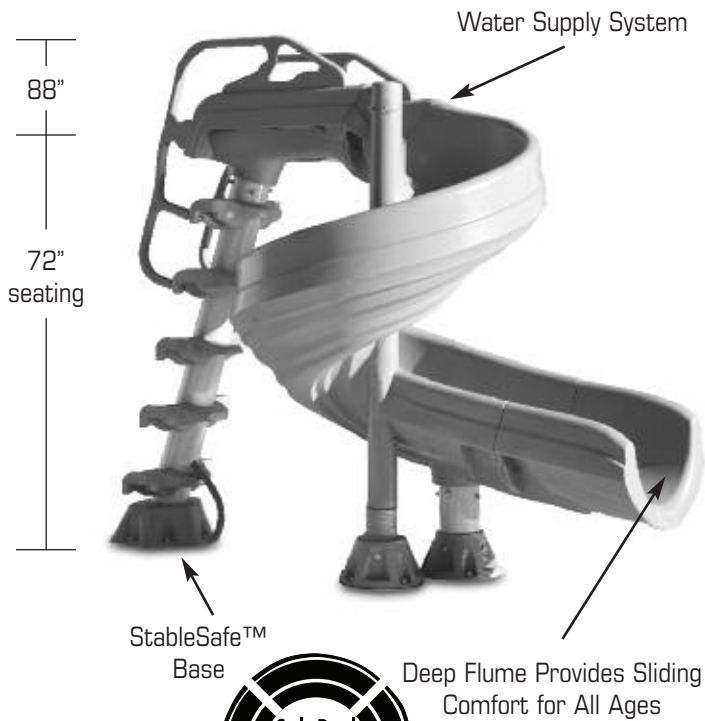
G-FORCE 2™ SLIDE

DESCRIPTION	PART NUMBER
G-Force Slide Complete - gray comes w/ss hardware	Part #G4C

G-Force 2 Footprint When Slide Pivoted From Rear to The Left



G-FORCE 2™ SLIDE:



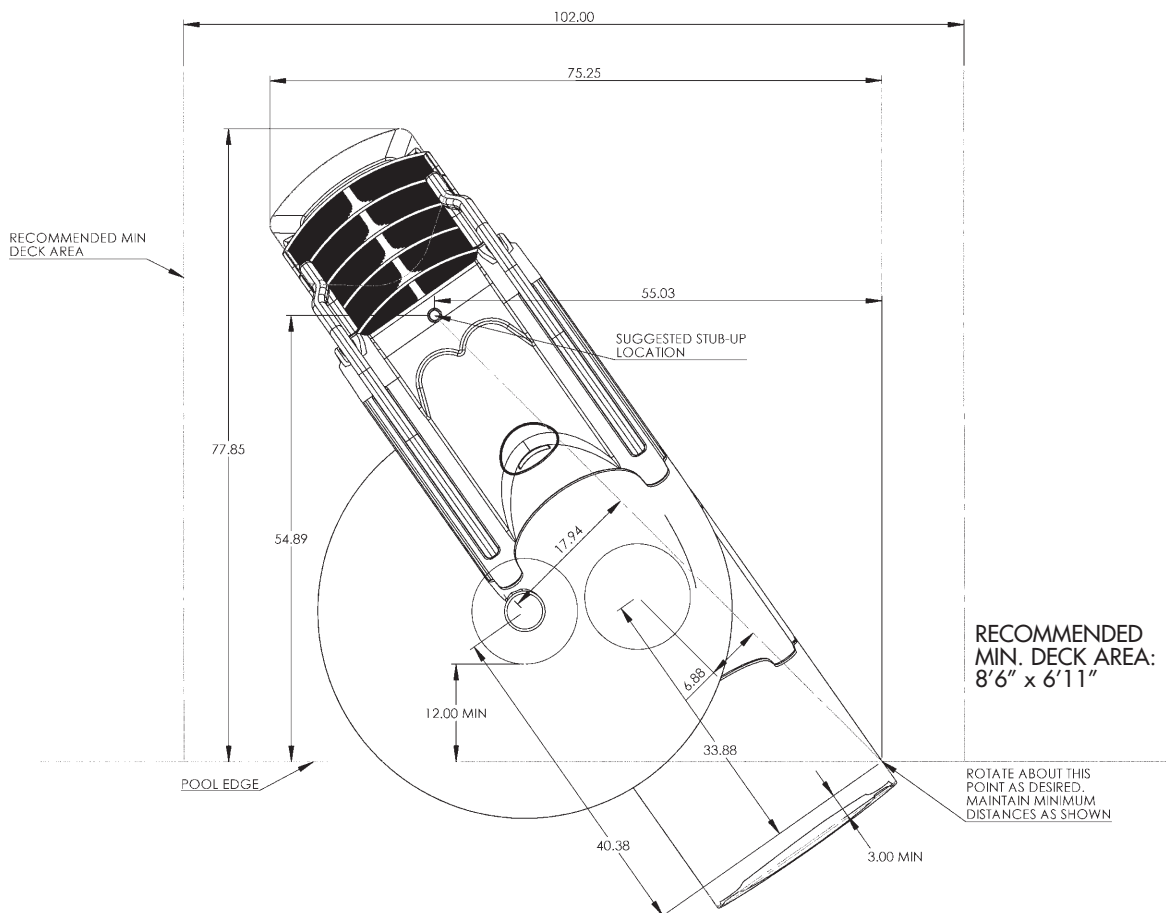
FEATURES:

- Rotational Molded - Polyethylene Construction on Flume, Steps, Rails & Leg Supports (PVC Legs)
- Available in Summit Gray Only
- Assembles in One Direction Only With Straight Exit Into the Pool
- 72" High at Seating Area
- Flume Width = 22.5" (centerline)
- Flume Depth = 13.5"
- Fantastic Water Supply System
- 15-25 GPM (Actual GPM rating will vary depending on specific pool size and pool equipment used.)
- Stainless Steel Hardware
- StableSafe™ Climbing System includes Heavy Fiberglass Stability Base, Deep Slip-Resistant Treads with Toe Stops, and Grip-Around™ Handrails
- Weight Limit = 250 Lbs.

G-FORCE 2™ SLIDE

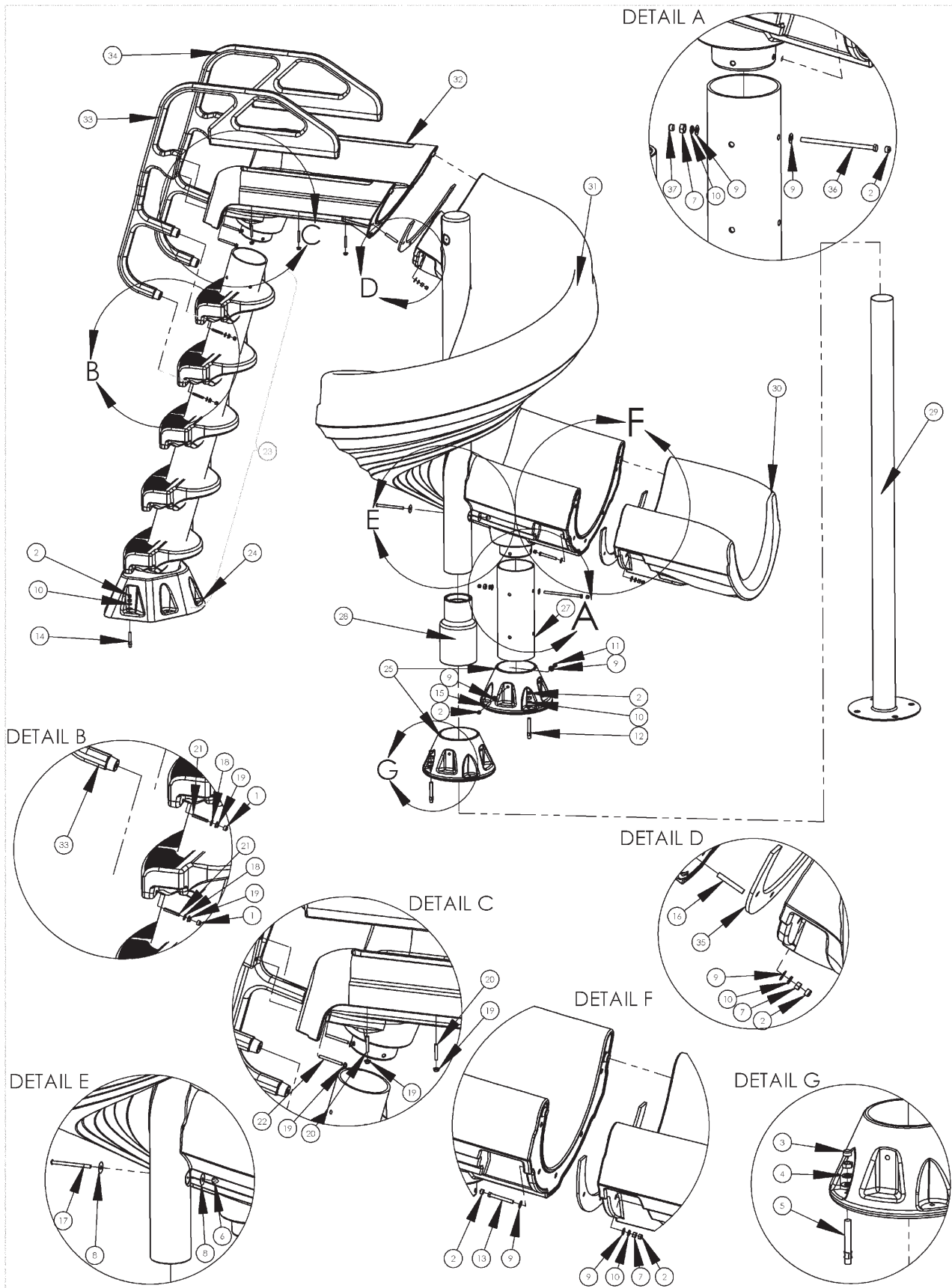
DESCRIPTION	PART NUMBER
G-Force Slide Complete - gray comes w/ss hardware	Part #G4C

G-Force 2 Footprint When Slide Pivoted From Rear to The Right



G-FORCE 2™ SLIDE (G4C):

RESIDENTIAL SLIDES



G-FORCE 2™ SLIDE (G4C):

ALL CHART INFORMATION BELOW CORRESPONDS WITH THE DRAWING ON THE PREVIOUS PAGE.



DRAWING REPRESENTS THE FOLLOWING PART NUMBERS:
G4C

RESIDENTIAL SLIDES

ITEM #	COMPONENT	DESCRIPTION	KITS - QTY. COUNTS					MISC.
			G4C-101	G4C-102	G4C-103	G4C-104	G4C-105	
1	H-.463 X .310 CAP	GRAY PROTECTIVE CAP					8	
2	H-.562 X .390 CAP	GRAY PROTECTIVE CAP	8	15	8	9		
3	H-1 WHT CAP	.750" X 1" GRAY NUT CAP				4		
4	H-SS 1/2 LOC WA	1/2" SPLIT LOCK WASHER S.S.				4		
5	H-SS 1/2X3-3/4	1/2" X 3-3/4" WEDGE ANCHOR W/NUT & FLAT WASHER S.S.				4		
6	H-SS 3/8 ACORN	3/8" ACORN NUT			2			
7	H-SS 3/8 F NUT	3/8" FINISH NUT S.S.		10	4			
8	H-SS 3/8 FENDER	3/8" X 1-1/2" FENDER WASHER			4			
9	H-SS 3/8 FLT WASHER	3/8" X 1" FLAT WASHER S.S.	16	15	8	9		
10	H-SS 3/8 LOC WASHER	3/8" LOCK WASHER S.S.		10	4	9		
11	H-SS 3/8 NYLON	3/8" NYLON INSERT NUT S.S.	8					
12	H-SS 3/8 WEDGE	3/8" X 2-3/4" WEDGE ANCHOR W/NUT & FLAT WASHER S.S.				4		
13	H-SS 3/8 X 3 TAP	3/8" X 3" HEX HEAD TAP BOLT S.S.		5				
14	H-SS 3/8 X 3-1/2 W	3/8" X 3-1/2" SS WEDGE ANCHOR W/NUT & FLAT WASHER				5		
15	H-SS 3/8-16X2	3/8" X 2" HEX HEAD BOLT S.S.	8		8			
16	H-SS 3/8X2-1/2	3/8" X 2-1/2" ALL-THREAD STUD S.S.		5				
17	H-SS 3/8X5 BUTT	3/8" X 5" BUTTON HEAD SOCKET BOLT			2			
18	H-SS 5/16 FLA WASHER	5/16" FLAT WASHER S.S.					4	
19	H-SS 5/16 SER	5/16" SERRATED FLANGE NUT					14	
20	H-SS 5/16 X 2	5/16" X 2" ALL-THREAD STUD S.S.					6	
21	H-SS 5/16 X 2-1/2	5/16" X 2-1/2" ALL-THREAD STUD S.S.					4	
22	H-SS 5/16 X 3	5/16" X 3" ALL-THREAD STUD S.S.					4	
23	G4C-STEP ASSEMBLY	COMPLETE ASSEMBLED STEP ASSEMBLY						1
24	PEDESTAL	16 DEGREE FOOT PEDESTAL						1
25	XS-FOOT PEDESTAL	STRAIGHT FOOT PEDESTAL						2
26	G4C-WATER OUTLET	WATER OUTLET (NOT SHOWN)						1
27	H-6 x 17.125	6 X 17.125 GRAY PVC PIPE SCHEDULE 40						1
28	G4C2-LEG EXT	G4C2 HELIX POLE EXTENSION						1
29	SS-HELIX TUBE	STEEL CENTER SUPPORT POLE						1
30	G4C2-EXIT	G4C2 EXIT SECTION						1
31	G4C2-HELIX	G4C2 HELIX SECTION						1
32	G4C2-ENTRY	G4C2 ENTRY SECTION						1
33	G4C-R HANDRAIL	G-FORCE RIGHT HANDRAIL						1
34	G4C-L HANDRAIL	G-FORCE LEFT HANDRAIL						1
35	H-G4C GASKET	GASKET FOR G-FORCE SLIDE						2
36	H-SS 3/8 X 7-1/2	3/8" X 7-1/2 HEX HEAD BOLT S.S.			4			
37	H-.531 X 1 GRAY	.531 X 1" GRAY PROTECTIVE CAP			4			

NOTES:

G-Force 2™ slide only comes in Summit Gray.