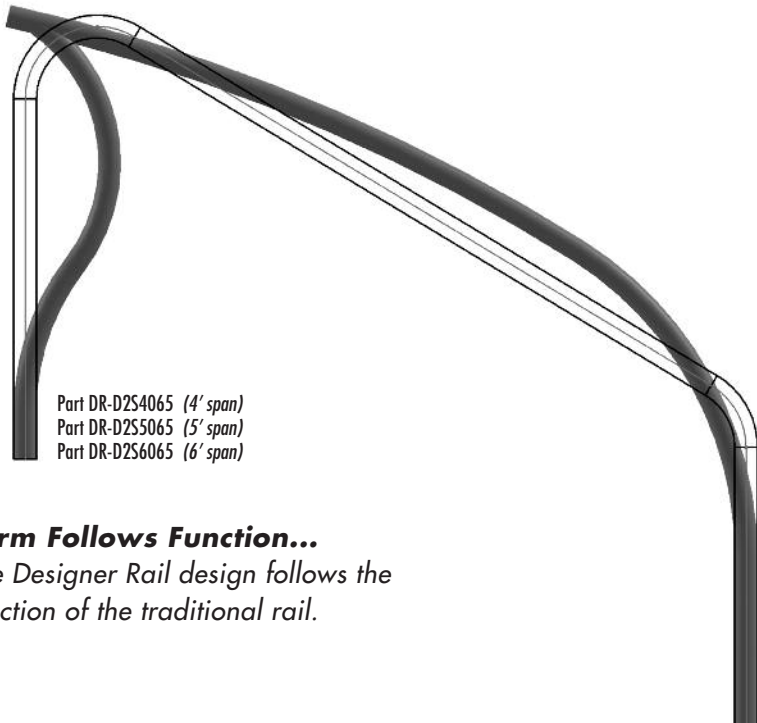


# DESIGNER SERIES RAILS

## D2S DECK TO STAIR HANDRAIL

PDF SPEC SHEET



Part DR-D2S4065 (4' span)  
 Part DR-D2S5065 (5' span)  
 Part DR-D2S6065 (6' span)

### FEATURES:

- Attractive and Modern Alternative to Traditional Rail Styles
- Fits Existing Anchor Spacing for Easy Retrofitting
- 4', 5' and 6' Spans Available
- 1.90" x .065" Wall Thickness
- 304 or 316L Stainless Steel
- Powder Coat or Thermo Plastic Coat Options (Includes Escutcheon)
- Anchors NOT included
- Patent Pending

### Form Follows Function...

The Designer Rail design follows the function of the traditional rail.

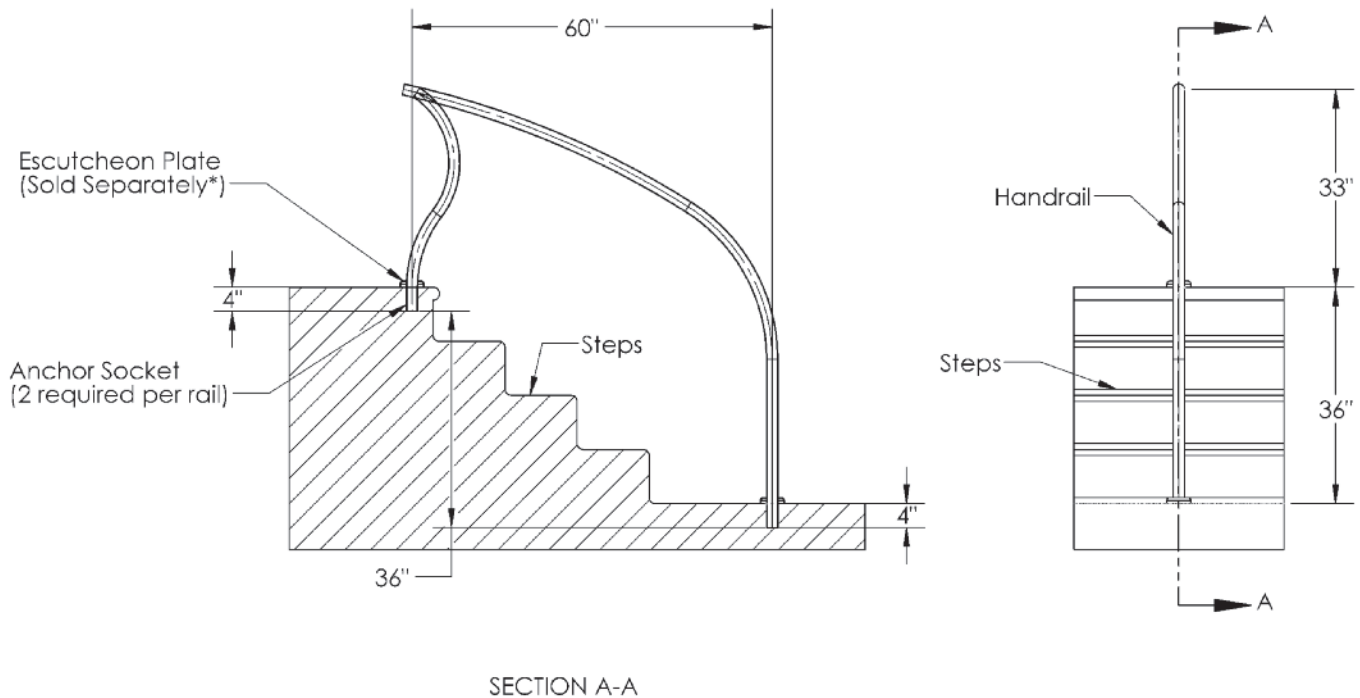
**PC** POWDER COAT

**TP** THERMO PLASTIC

**MG** MARINE GRADE

PLEASE CALL CUSTOMER SERVICE FOR SPECIFIC RAIL COATING AVAILABILITY.

NOTE: Print dimensions shown are for a 5' span.



\*Escutcheons sold separately with stainless steel products; included with PC and TPC ladders and rails.



3050 S ALVERNON WAY • TUCSON, AZ 85713  
 520.790.7040 • 800.737.5386 • inter-fab.com