

SĀFTRON

ANCHOR SOCKET INSTALLATION

Recommended installation method for:

Rails, ladders, volleyball net posts, etc... that have 1.90" OD mounting posts, and that need to be removable (i.e., for winterizing or storage).

Hints:

- Core-drilling requires specialized tools.
- Professional installation is recommended.(Not for the average "do-it-yourselfer").
- Rails and ladders will only be as rigid and secure as the supporting foundation. Before installing, make sure the deck is suitable.
- Avoid scratches. Keep railings in box until ready to install. Don't place railings on bare ground.
- Clean spills immediately with wet rag. Don't allow spilled grout to set on railings or deck.

Anchor Socket Installation Steps:

1. Measure and mark desired location of rail or ladder posts.
2. Determine required location of anchor socket to achieve post location.
NOTE: CENTER OF ANCHOR SOCKET IS NOT CENTER OF POST. PDF FILE DRAWING PRINTED ON 8" X 11" PAPER CAN BE PRINTED AND USED AS TEMPLATE.
IMPORTANT: WHEN INSTALLING LADDERS, THE HORIZONTAL DISTANCE FROM FACE OF POOL WALL TO MOUNTING POST MUST BE CORRECT TO ENSURE SECURE FIT. REFER TO DIMENSION DRAWINGS FOR YOUR MODEL OF RAIL OR LADDER ON THIS WEB SITE TO DETERMINE REQUIRED DISTANCE.
3. Drill cores in concrete to a depth of 4-1/4" – 4-1/2" for each anchor socket location.
DO NOT MAKE HOLES LARGER THAN NECESSARY OR ESCUTCHEONS MAY NOT COVER ENTIRE GROUTED AREA.
4. Tape over hole in base cover of anchor socket.
5. Attach and firmly seat anchor socket(s) to Safron P-JIG-L or P-JIG-RTD Jig, and tighten bolt (or use any other method to ensure proper alignment).
OPTIONAL: IF INSTALLING STEEL RAILS THAT REQUIRE GROUNDING (Safron Rails are non-conductive and do not require Grounding/Bonding):Attach grounding/bonding wire to connection terminal on side of anchor socket between washers, then tighten bolt.

6. Place anchor socket(s) in grout holes. Re-check position and alignment. Secure in place with wood wedges.
7. Fill void around anchor socket(s) with grout.
8. Once grout has fully cured, remove jig.

Measuring Mounting Depth:

Measure the depth of your mounting socket. Saftron anchor sockets have a 4" depth while Saftron surface mounting bases are 3" (ladders only) or 6" (ladders and rails) in height. When installing using anchor sockets, use the stickers attached to your handrail or ladder rail as a guide to draw a mark on the rail. Be sure to use a permanent marker if the rail will be removed.

Important: The sticker on your handrail or ladder is intended for anchor socket installation only. For 3" and 6" surface mounting base installs, remove the sticker and measure to create your own mark. Measure up 3 ⁷/₈" for Saftron's anchor socket, 5 ⁷/₈" for the 6" surface mounting base, and 2 ⁷/₈" for the 3" surface mounting base.

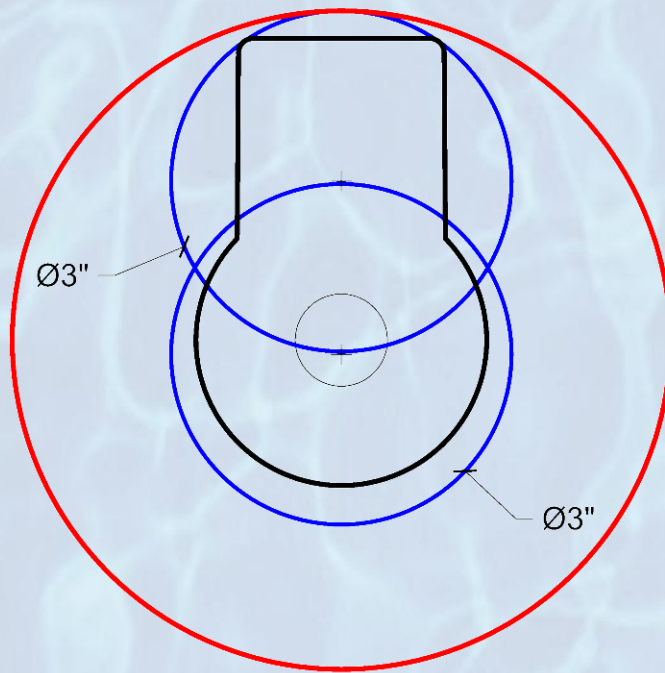
Insert the handrail or ladder rail fully into the anchor socket or surface mount so the mark goes below the surface of the anchor socket or surface mounting base. **The rail must be resting firmly on the bottom of the anchor socket or surface mounting base in order to install correctly.**

To Install Rails:

1. Use ½" wrench or socket to lower wedge about ½" inside socket by turning bolt counterclockwise.
WARNING: TOO MANY TURNS WILL DISENGAGE WEDGE FROM BOLT.
2. Insert rail or ladder post into Anchor socket.
3. Tighten by turning bolt clockwise until secure.
DO NOT OVER-TIGHTEN.
4. DO NOT USE RAIL UNTIL GROUT HAS FULLY CURED.
5. Rails can be cleaned and polished using a soft rag and household Soft Scrub®.
DO NOT USE ABRASIVES OR COMMERCIAL SOLVENTS.

To Remove Rails:

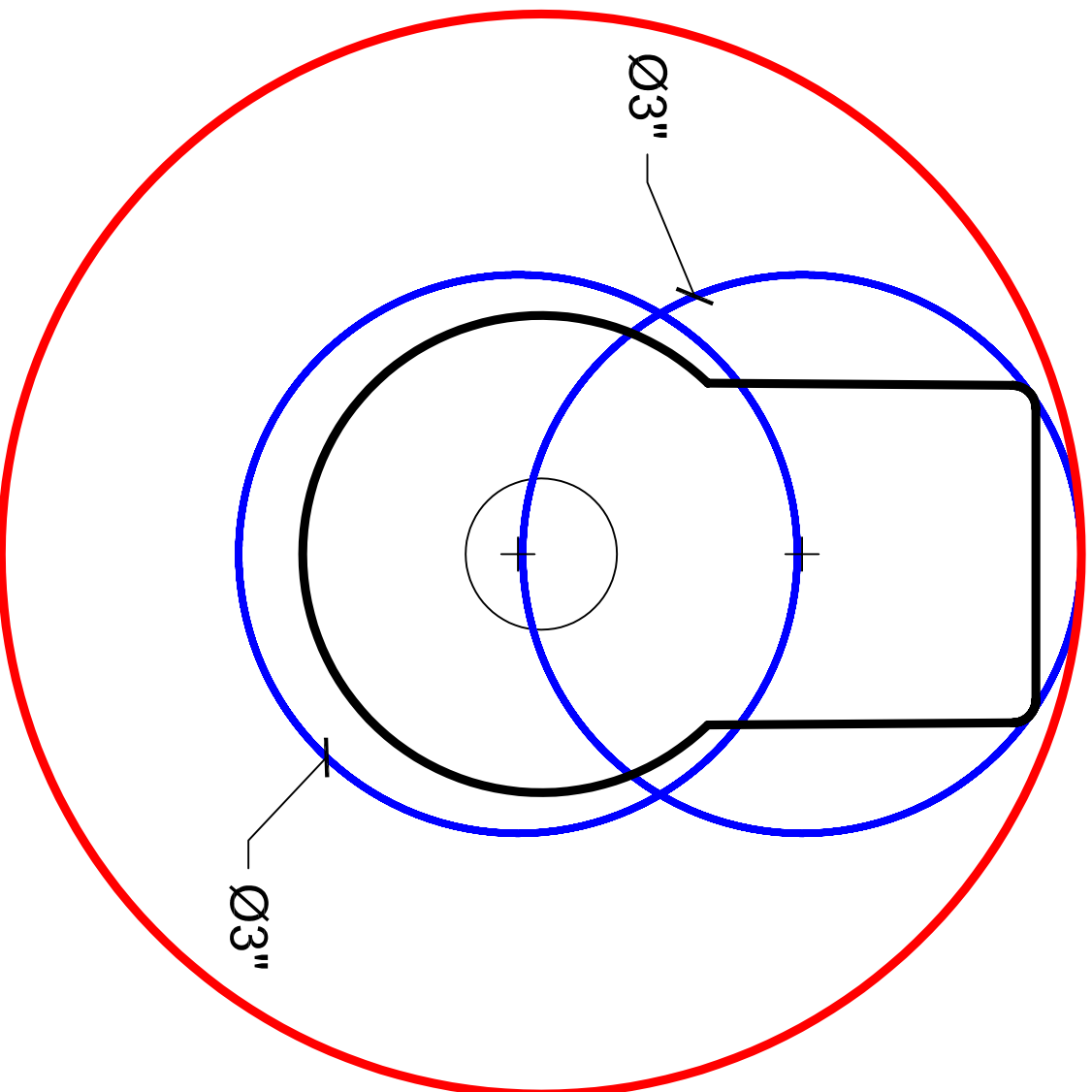
1. Use ½" Wrench or Socket. Turn Counterclockwise a few turns.
NOTE: TOO MANY TURNS WILL DISENGAGE WEDGE FROM BOLT.
2. If bolt head rises after a few turns, tap bolt head down.
3. Remove rail.



BLUE LINES = 3" Overlapping Core holes drilled to depth of 4-1/2".

BLACK LINE = Perimeter of ANCH-1 Anchor Socket.

RED LINE = Escutcheon Perimeter (Area that will be covered by the Escutcheon).



BLUE LINES = 3" Overlapping Core holes drilled to depth of 4-1/2" .

BLACK LINE = Perimeter of ANCH-1 Anchor Socket.

RED LINE = Escutcheon Perimeter (Area that will be covered by the Escutcheon).