

# **SAVE THESE INSTRUCTIONS**

DEALER/INSTALLER: GIVE TO HOMEOWNER

## **MODEL #7100**

### **“EVOLUTION” A-FRAME LADDER**

**FOR RIGID-FRAMED POOLS ONLY  
ASSEMBLY AND INSTALLATION MANUAL**



The Anti-Entrapment Barrier is included in this ladder for the U.S. and Canada only, as required by ANSI/APSP requirements.  
The Anti-Entrapment Barrier is NOT intended as a substitute for competent adult supervision.  
If you would like to purchase the barrier, please visit our website at: [www.conferradders.com](http://www.conferradders.com)



Made in U.S.A. by

**CONFER**  
*plastics inc.*

# Model #7100 "EVOLUTION" A-FRAME LADDER

## Adjustable to fit 48" to 54" Rigid-Framed Above Ground Pools

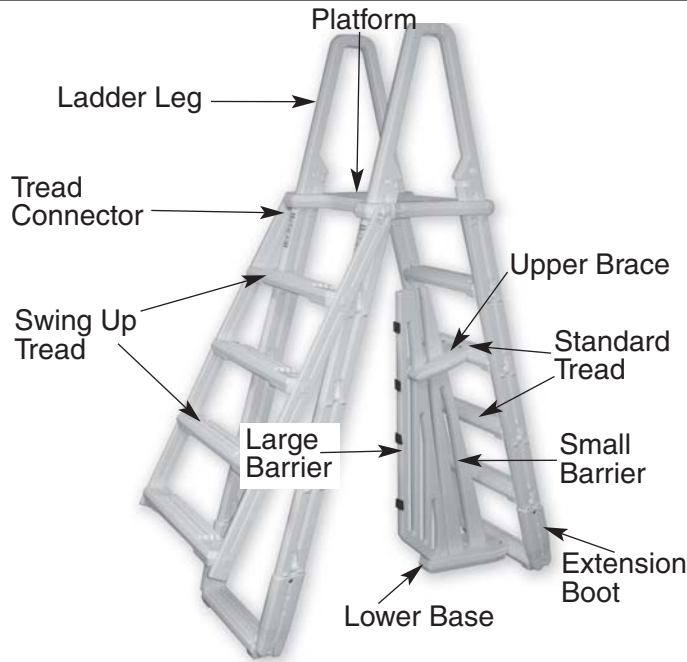
ASSEMBLY INSTRUCTIONS - PLEASE READ BEFORE ATTEMPTING ASSEMBLY

### Parts List

- 4 - Ladder Legs
- 2 - Tread Connectors
- 4 - "Swing Up" Treads
- 6 - Standard Treads
- 4 - Extension Boots
- 1 - Platform

### Hardware Pack

- 4 - 1/4 - 20 x 2" Bolt
- 4 - 1/4 - 20 Acorn Nut
- 2 - #10 x 1-1/4" Screw
- 2 - 1/4 - 20 x 2-1/4" Bolt
- 2 - 1/4" Flat Washer
- 2 - 1/4 - 20 Hex Nut
- 4 - Plug (white)
- 1 - Padlock



### Tools Needed for Assembly

- \* - Hammer or mallet
- \* - Phillips Screwdriver
- \* - Adjustable wrench
- \* - Liquid soap or lubricant
- \* - Battery operated drill motor
- \* - 5/16" Drill bit

### Barrier Parts List (if included)

(Included in Hardware Pack)

- 4 - #10 x 1-1/4" screws
- 1 - Strip of 4 Foam Pads
- 1 - Large Barrier Section
- 1 - Small Barrier Section
- 1 - Upper Brace
- 1 - Lower Base

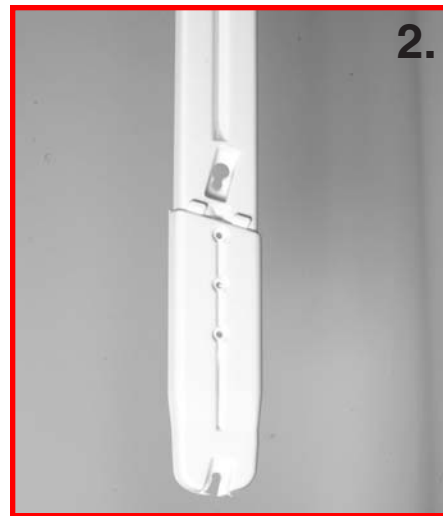
If missing parts call - Toll free U.S. - 866-396-2968 or [www.conferladders.com](http://www.conferladders.com)

\*NOTE: If you are using this ladder on a 48" pool you will not use the extension boots. Proceed to #4.



1.

If the round plastic inserts, on the sides of the extension boots, are still in place, remove them with a phillips head screw-driver as shown.



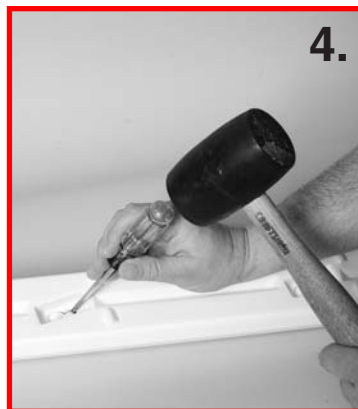
2.

Slip the four extension boots over the ends of the assembled ladders legs. They will need to be all the way on for most 52" tall pools and backed off one hole for 54" pools. Depending upon ground levels outside the pool, and sand levels under the liner inside the pool, a final adjustment may need to be made after the ladder is put into place.



3.

Using four 1/4-20 x 2" long bolts and four acorn nuts fasten the extension boots to the ladder legs



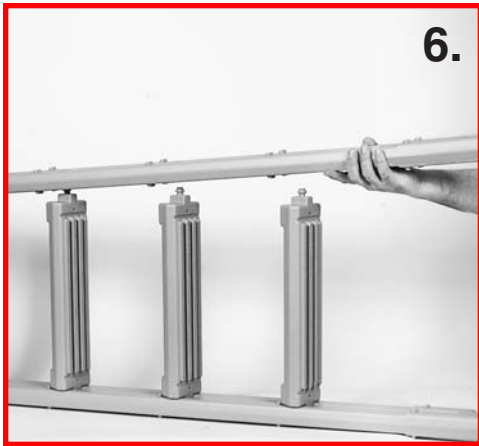
4.

Remove the keyhole slot inserts from two of the ladder legs.

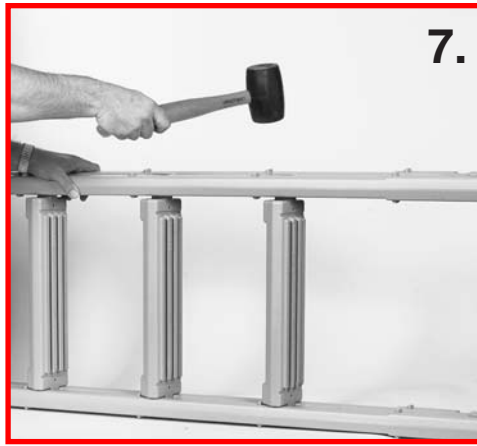


5.

Push the end of one of the standard treads into the uppermost keyhole slot. Make sure that the tread and the ladder leg are positioned as shown in the photograph above. It may be necessary to tap the tread into the slot with a mallet. Repeat for three additional treads.



**6.**  
Attach one of the ladder legs to the opposite ends of the four standard treads making sure that the curved upper ends are both facing in the same direction.



**7.**  
Tap the ladder leg down onto the ends of the treads.



**8.**  
Tap the treads downward so that they seat fully into the bottom of the keyhole slots.



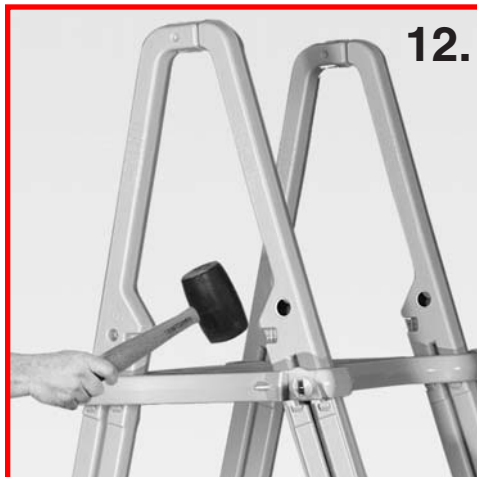
**9.**  
Making sure that the “swing-up” side of the platform is facing away from the “inside” ladder section, as shown, slip the openings of the platform over the upper ends of the ladder legs. Using a mallet or hammer tap the platform down until it is fully seated onto the “nubs” of the ladder legs. Liquid soap or lubricant will help the parts slide together.



**10.**  
Slip the other two ladder legs through the openings of the platform until they engage the other ladder legs as shown in next photo.



**11.**



**12.**

Tap the platform down until it is fully seated on the “lugs” of the legs as shown.



**13.**

Insert screws here

Using a #10 x 1-1/4" screw fasten the upper ends of the ladder legs together as shown. Repeat for opposite side.



14.

Attach the two remaining standard treads to the extension boots (or directly to the ends of the ladder legs if installing on a 48" tall pool).

If Ladder *did not* include Barrier, skip steps 18 through 20. Continue to step 21.



15.

Position the four "swing up" treads onto the ladder legs as shown.



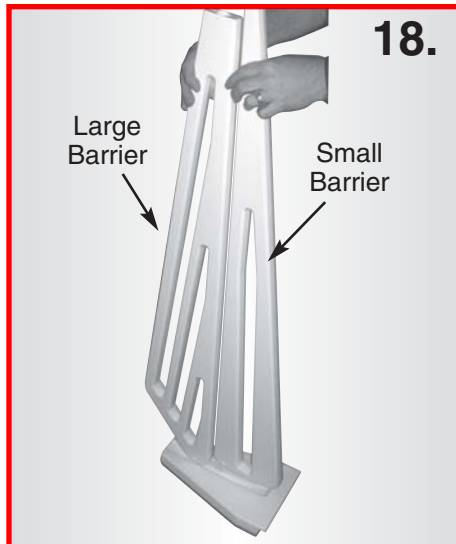
16.

Position the tread connector as shown, with the padlock hole facing upward, and tap it over the round knob. Repeat for the opposite tread connector.



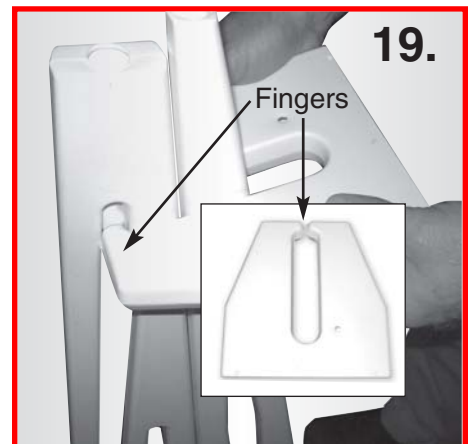
17.

Tap the tread connectors onto the ends of the treads until they are firmly seated.



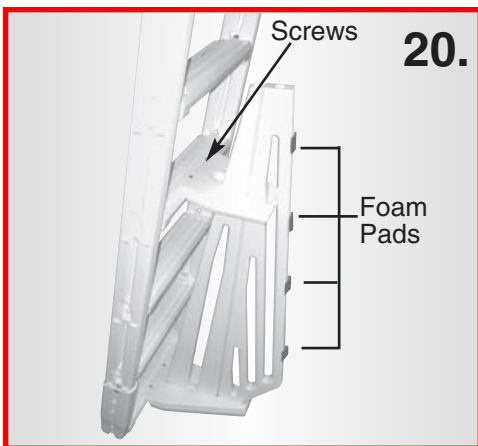
18.

Snap Small and Large Barrier Sections into slots on Lower Base as shown.



19.

Separate Barrier sections at the top slightly and position Upper Brace over Small Barrier Section. Next, spread the "fingers" on the Upper Brace and slide into position on the Large Barrier Section.



20.

Place the Base and Brace into position, centered, on the bottom and fourth treads of the ladder. Install the four (4) #10 x 1-1/4" screws (included in hardware pack) on a slight angle, first in the Upper brace, then in the Lower Base. Install the self-adhering foam strips to the Large Barrier Section as shown in diagram.



21.

"Swing" up portion of ladder shown in "down" position and the padlock in the "holding" area.



22.

Swing up portion of ladder shown in "up" position, secured with padlock.

## TO PREVENT FLOATING

Fill the “inner” ladder legs with water and cover the four fill holes with plugs. Place the ladder over the pool top seat with the swing up treads on the outside of the pool. Tip the ladder sideways to allow the treads to fill the water. This will prevent floating. The platform should rest on the pool top seat and the bottom tread should rest firmly on the pool bottom. If they do not, the extension boots may be adjusted up or down as required to achieve the best fit.

For maximum stability, the ladder should be fastened to the top of the pool. Position the ladder at the desired location on the pool top seat and mark the two locations of the holes in the platform onto the top seat. Move the ladder away, and being careful not to drill into the liner, drill two holes through the top seat. Fasten the ladder to the top seat using two 1/4-20 x 2-1/4” bolts, 1/4” flat washers, and 1/4-20 hex nuts.

**IMPORTANT: WHENEVER THE POOL IS NOT IN USE THE OUTER TREADS MUST BE IN THE UP POSITION AND LOCKED WITH THE INCLUDED PADLOCK.**

**Winterizing:** To winterize your ladder pull the ladder from the pool, remove the plugs, lay the ladder on its side to allow the water to drain out. A small amount of water left in the ladder will not cause any damage. Replace the plugs into the fill holes so that they do not get lost. The ladder may be left outside.

## OPTIONAL CONVERSION KIT

To easily convert your ladder to a deck ladder order our #CK7100. The conversion kit includes all parts and hardware needed. Check for availability at your local pool dealer or order online at [www.conferladders.com](http://www.conferladders.com)

## OPTIONAL ACCESSORY

**SKIM-IT SKIMS OFF DEBRIS** Cut cleaning time 75% with skimmer extension that guides debris directly into your skimmer. Fits most in-ground and above-ground pool skimmers. Corrosion-resistant plastic Skim-It installs in seconds without tools.



## SAFETY RULES

- \* Locate ladder on a solid base.
- \* One person on the ladder at a time.
- \* Ladder **MUST** be installed per manufacturer's instructions.
- \* **DANGER:** No Jumping or Diving from ladder.
- \* Face ladder when entering and leaving pool.
- \* To prevent entrapment or drowning — **DO NOT** swim through, behind or around ladder.
- \* Ladder to be used as a swimming pool ladder only.
- \* Weight limit - **300 lbs maximum**
- \* **Warning:** Exceeding the maximum weight restriction may cause the ladder to fail.
- \* When ladder is not in use lock up outer treads with padlock provided in hardware bag.
- \* Consult your local Building Department before installation of your pool and equipment.
- \* **DANGER:** Use a cordless drill for assembly and installation. NEVER use an electric drill in or around the pool.

## IMPORTANT FOR YOUR SAFETY

- \* Check the contents of the carton with the Parts list for this ladder.
- \* If any parts are missing call Toll Free U.S. - 866-396-2968 or visit our web site at [www.conferladders.com](http://www.conferladders.com)
- \* **DO NOT** attempt to assemble or install the ladder if there are **ANY** shortages of parts or hardware.
- \* For proper assembly and installation follow all instructions in the sequence shown.
- \* Before using the product, after assembly and installation, go over the instructions and procedures again to make sure nothing has been overlooked.
- \* Be sure and safe. The manufacturer **IS NOT** responsible for improper assembly, installation and use.

### CONFER PLASTICS, INC. LIMITED, PRO-RATED WARRANTY

Confer Plastics, Inc. warrants their swimming pool ladders to be free from defects in workmanship for one year from date of purchase. After the first year the cost to replace a part is as follows:

**MODEL #7100**

2<sup>nd</sup> Year - 20%

3<sup>rd</sup> Year - 40%

4<sup>th</sup> Year - 60%

5<sup>th</sup> Year - 80%

Plus shipping/handling

} of current parts  
list price

**DO NOT RETURN DEFECTIVE PART TO DEALER**

The defective part should be returned, postpaid, to:  
Confer Plastics, Inc.  
97 Witmer Road

North Tonawanda, N.Y. 14120-2421

Enclose proof-of-purchase (receipts, etc.) showing date purchased, your name, address, and daytime phone number. You will be notified of cost to replace part.

*This warranty gives you specific legal rights, and you may also have other rights which may vary from state to state.*

MADE IN THE U.S.A. by:



**CONFER**  
*plastics inc.*

97 Witmer Road  
North Tonawanda, New York 14120-2421  
Toll Free U.S. 866-396-2968  
716-283-1826/ FAX 716-283-3249  
[www.conferladders.com](http://www.conferladders.com)