



Hayward Commercial Pool Products

COMMERCIAL SANITIZATION

The safest water. Pure and simple.



HydroRite™ UVO3

COMMERCIAL UV OZONE ADVANCED WATER TREATMENT SYSTEM

Total System: Pumps | Filters | Heating | Cleaners | **Sanitization** | Automation | Lighting | Safety | White Goods | Flow Control



Eliminate 99.9% of bacteria for 100% peace of mind.

HydroRite™ UVO₃ from Hayward® Commercial Pool sets a new standard in water quality, utilizing UV, Ozone and Advanced Oxidants to drastically reduce the threat of deadly recreational waterborne illnesses (RWIs). Used as a supplementary disinfectant system, as recommended by the U.S Centers for Disease Control's Model Aquatic Health Code guidelines, HydroRite delivers a powerful trio of disinfectants that work synergistically to inactivate more than 99.9% of harmful chlorine-resistant microorganisms. NSF Certified HydroRite UVO₃ makes it easier and more affordable than ever to provide your facility the most advanced all-in-one UV and Ozone system the industry has ever seen. Why compromise—say yes to UV, yes to Ozone and yes to Advanced Oxidation.

LOW-RISK INVESTMENT FOR HIGH-RISK ENVIRONMENTS.

- Advanced water treatment system combining 3 powerful disinfectants
- Inactivates more than 99.9% of harmful chlorine-resistant microorganisms such as *Cryptosporidium* and *Giardia*
- Reduces irritating chloramines by 50% or more, improving indoor air quality and enhancing the swimming experience
- Reduces overall chemical usage and chlorine demand by 50% or more, reducing operating costs and extending the life of salt chlorination cells
- Compact design, single vessel and controller for easy install into new and/or existing pools
- NSF/ANSI Standard 50 Certified

STAY ON THE SAFEST SIDE OF SANITIZATION.

High bather loads create higher bacteria levels—most left untreated by chlorine alone. As a proactive measure, the U.S. Centers for Disease Control (CDC) has created the Model Aquatic Health Code (MAHC), which highly recommends the use of UV or Ozone as a supplementary disinfectant treatment. Hayward's HydroRite UVO₃ will ensure that your commercial facilities stay on the cutting edge of swimmer safety by reducing waterborne illnesses due to harmful chlorine-resistant microorganisms.

HYDRORITE UVO₃ FEATURES



THE PROCESS BEHIND THE TECHNOLOGY

Hayward's technology utilizes three types of supplementary sanitization: UV, Ozone and Advanced Oxidants (hydroxyl radicals)

- 1 HydroRite UVO₃ utilizes dual wavelength UV lamps to produce both germicidal UV and Ozone. On contact with water, the germicidal UV breaks down the protein structure of algae, bacteria and viruses, rendering them inactive.
- 2 The Ozone-treated water is exposed to potent, ultraviolet rays as the water passes through the vessel.
- 3 Once the Ozone combines with the UV light, a reaction occurs that creates highly potent hydroxyl radicals (Advanced Oxidants).
- 4 These potent disinfectants work synergistically to inactivate more than 99.9% of chlorine-resistant microorganisms, providing an entirely new level of safe water quality.

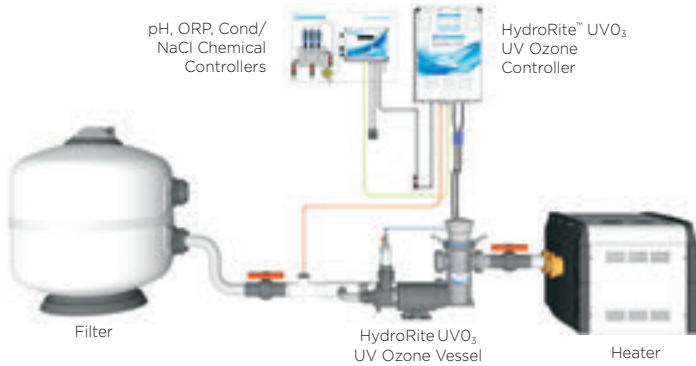
THE PERFECT FIT WITH PH/ORP CAT CONTROLLERS® AND SALINE C® 6.0.

For total efficiency and maximum control, HydroRite UVO₃ is the perfect complement to Saline C 6.0 and our pH/ORP/TDS CAT Controllers, like the new CAT 5500.® When these products are installed together, this complete sanitization system becomes an advanced automated water quality solution. Commercial pool operators and managers can also enjoy the convenience of remote monitoring (now including conductivity/NaCl) and audit tracking of multiple pools via PoolComm.



PoolComm®

IN-LINE INSTALLATION



DIMENSIONS



Controller

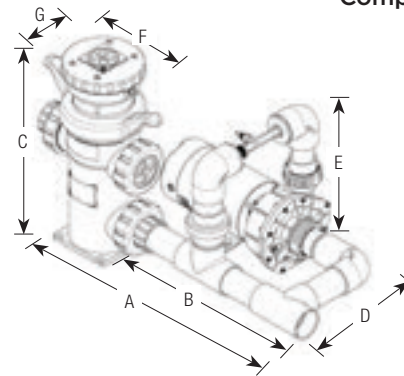
A	20.83"
B	14.78"
C	3.18"
D	4.0"
E	3.18"

TECHNICAL SPECIFICATIONS

	2" Commercial System	4" Commercial System
Part Numbers	HYR2CSC-UVO	HYR4CSC-UVO
Certifications	NSF50 UL 1081/1563 CSA C22.2	NSF50* UL 1081/1563 CSA C22.2
Electrical Enclosure Dimensions	23.0" H x 14.78" W x 4.64" D	23.0" H x 14.78" W x 4.64" D
Vessel Dimensions	18.75" H x 13.5" W x 6.13" D	25.25" H x 17.36" W x 7" D
Housing Inlet/Outlet	2" Union inlet/outlet	4" Union inlet/outlet
Reaction Chamber Style	Clear plastic	Clear plastic
Power Input (Controller)	120VAC, 60Hz, 2.5Amps	120VAC, 60Hz, 5Amps
Booster Pump	1HP, Single Phase, 13.8Amps	1HP, Single Phase, 13.8Amps
Booster Pump Junction Box	120VAC, 60Hz	120VAC, 60Hz
Flow Sensor	Magnetic with embedded reed switch	Magnetic with embedded reed switch
Operating Configuration	3 Lamps	3 Lamps
Vessel Rated Pressure	50 psi	50* psi
Sanitization	>99.9% removal of E. faecium and P. aeruginosa bacteria	>99.9% removal of E. faecium and P. aeruginosa bacteria
GPM	75	250*
Cable Length	9.5ft (2.9m) from ballast to lamp	9.5ft (2.9m) from ballast to lamp
Safety System	No-flow safety shutoff Thermal limit shutoff Lid removal shutoff Lamp error indicator	No-flow safety shutoff Thermal limit shutoff Lid removal shutoff Lamp error indicator
Warranty	Vessel 3-years Lamp 1-year	Vessel 3-years Lamp 1-year

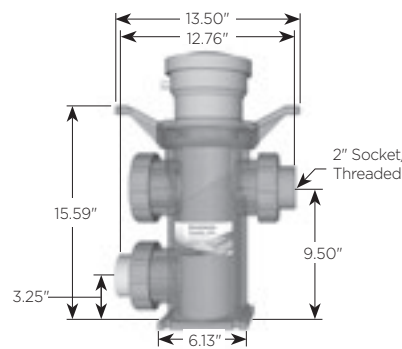
*Pending NSF Certification

Complete Installation

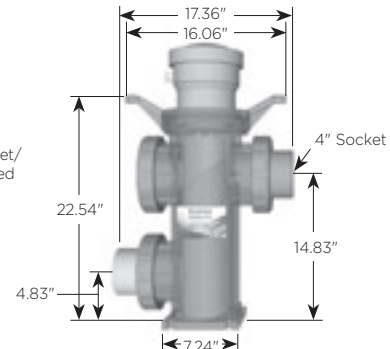


A	32"
B	20"
C	19"
D	15"
E	14"
F	12"
G	6"

2" Vessel



4" Vessel



Visit Hayward.com/HydroRite Video to see the HydroRite UVO₃ in action

HydroRite UVO₃ listed by:   

To take a closer look at HydroRite UVO₃ or other Hayward products, go to haywardcommercialpool.com or call 1-800-657-2287.

